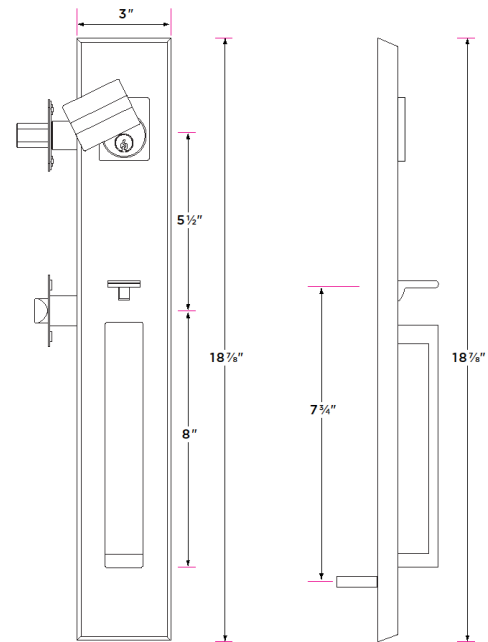


Vail Handleset



DESCRIPTION

PRODUCT CODE

CASE

Vail Handleset with Logan Interior Trim

VL507-LN

6

Vail Handleset with Escalante Interior Trim

VL-507-ES

6

Vail Dummy Handleset

VL500

6

Finishes

11P Vintage Bronze
NI Nickel

Door Handing

Non-handed

Door Thickness

1 3/8" - 2"
Expansion pack available for
2 1/4" thick doors

Key Cylinder

5 Pin KW1
5 Pin SC1 option

Strike Plate

2 1/4" x 1 3/4" full-lip radius
corner standard
2 1/4" x 1" deadbolt strike
2 3/4" x 1 1/8" deadbolt strike

Latch

2 1/4" x 1" radius corner
faceplate
Non-adjustable 2 3/8" or 2 3/4"
backset
2 3/8" drive-in latch available
1/2" throw bolt
Split Spindle- both sides
operate independently
1" deadbolt throw
Cut resistant bolt with hard-
ened steel rolling insert

Door Prep

Crossbore 2 1/8"
Edgebore 1"
5 1/2" center-to-center

Materials

Solid Brass
All metal parts