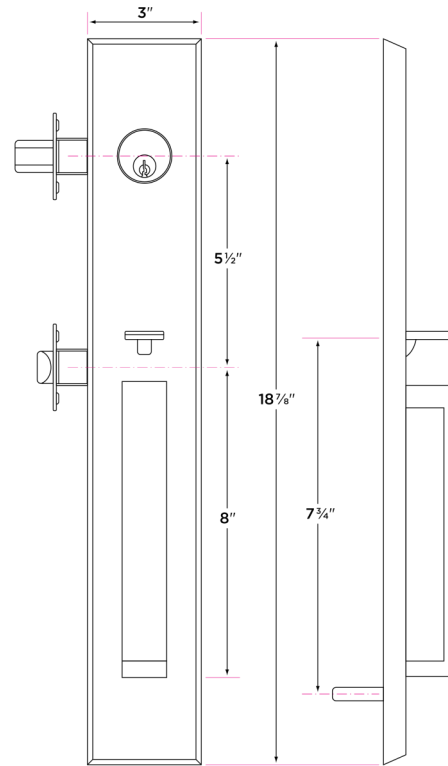


## Vail Handleset



VL507



**DESCRIPTION**

**PRODUCT CODE**

**CASE**

Vail Handleset	VL507	6
Vail Dummy Handleset	VL-500	6

### Finishes

- 11P Vintage Bronze
- 15 Satin Nickel
- FBL Flat Black
- SB Satin Brass

### Door Prep

- Crossbore 2 1/8"
- Edgebore 1"
- 5 1/2" center-to-center

### Latch

- 2 1/4" x 1" radius corner faceplate
- Non-adjustable 2 3/8" or 2 3/4" backset
- 2 3/8" drive-in latch available
- 1/2" throw bolt
- Split Spindle— both sides operate independently
- 1" deadbolt throw
- Cut resistant bolt with hardened steel rolling insert
- Split Spindle— both sides operate independently

### Strike Plate

- 2 1/4" x 1 3/4" full-lip radius corner standard
- 2 1/4" x 1" deadbolt strike
- 2 3/4" x 1 1/8" deadbolt strike

### Door Thickness

- 1 3/4" - 2"
- Expansion pack available for 2 1/4" thick doors

### Door Handing

- Non-handed

### Key Cylinder

- 5 Pin KW1
- 5 Pin SC1 option

### Materials

- Solid Brass
- All metal parts

## Vail Handleset

Interior Trims:

DESCRIPTION	PRODUCT CODE
Logan Handleset Trim	LN100-H
Levanto Full Plate Handleset Trim	LV100-HFP
Basel Full Plate Handleset Trim	BS100-HFP
Oakley Handleset Trim	OK100-H
Zermatt Full Plate Handleset Trim	ZT100-HFP
Aspra Full Plate Handleset Trim	AP100-HFP



Logan Trim



Levanto Trim



Basel Trim



Oakley Trim



Zermatt Trim



Aspra Trim

