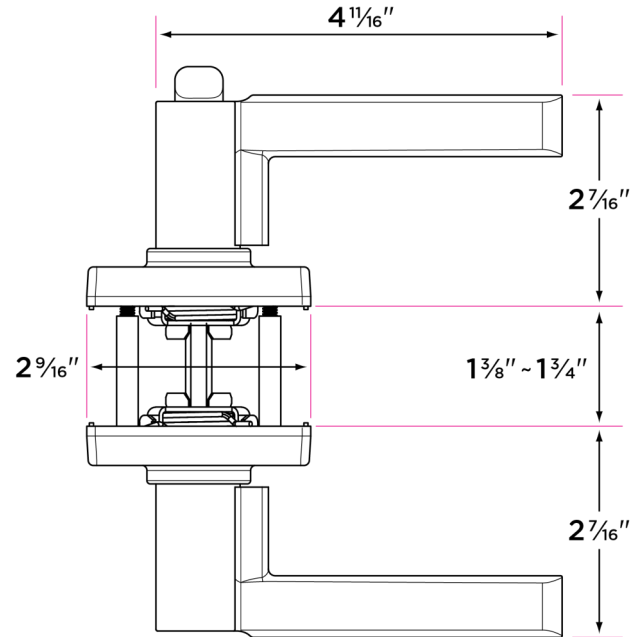


Verona Lever

VN107



DESCRIPTION	PRODUCT CODE	CASE
Passage (hall/closet) Both sides always free	VN101	12
Privacy (bed/bath) Locked by push button. Unlocked by inside lever turn, or emergency pin outside. Inside lever is always free.	VN102	12
Entry-Locked by inside push button or outside key. Unlocked by inside lever or outside key. Inside lever is always free.	VN107	12
Dummy (closet) Inactive, single-sided, flush mount with two wood screws	VN100	24
Handleset Interior Trim	VN100-H	24

Finishes

- 15 Satin Nickel
- FBL Flat Black
- SB Satin Brass

Door Handing

Reversible Handing

Door Thickness

1 3/8" to 1 3/4"

Key Cylinder

- 5 Pin KW1
- 5 Pin SC1 option

Strike Plate

2 1/4" x 1 3/4" full lip radius corner standard

Latch

2 1/4" x 1" radius corner faceplate
 4 in 1 latch with collar for drive-in function
 Adjustable 2 3/8" or 2 3/4"
 1/2" throw bolt

Door Prep

Crossbore 2 1/8"
 Edgebore 1"

Materials

Zinc
 All metal parts