

## Sorrento Series



**Materials**

Stainless Steel

**Specifications**

3" extension from wall

2" base

Concealed screw mounting with slotted, standard head set screw

Plated steel mounting brackets with two screws each

Nylon drywall anchors included

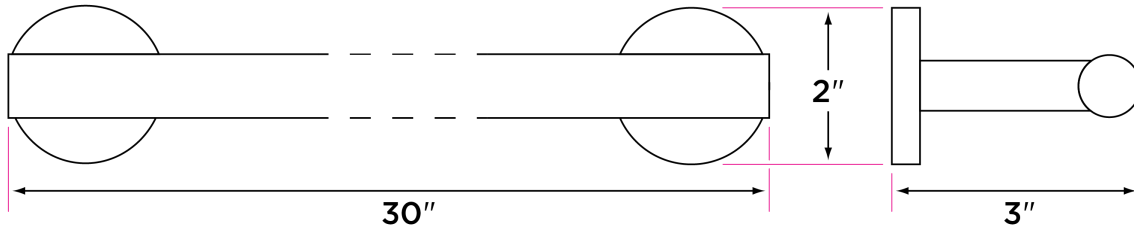
**Finishes**

- 15 Satin Nickel
- 26 Polished Chrome
- FBL Flat Black
- SB Satin Brass

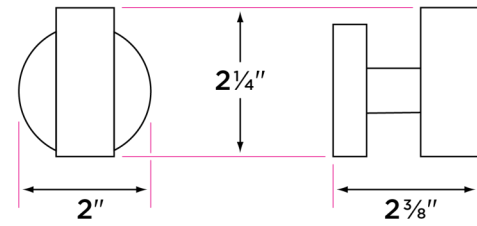
DESCRIPTION	PRODUCT CODE	CASE
9" Towel Bar	SO-TB9	20
18" Towel Bar	SO-TB18	20
24" Towel Bar	SO-TB24	20
30" Towel Bar	SO-TB30	20
Towel Ring	SO-TR1	30
Single Post Paper Holder	SO-PH1	30
Euro Paper Holder	SO-PH3	30
Two-Post Pivot Paper Holder	SO-PH2PV	30
Robe Hook	SO-RH1	30



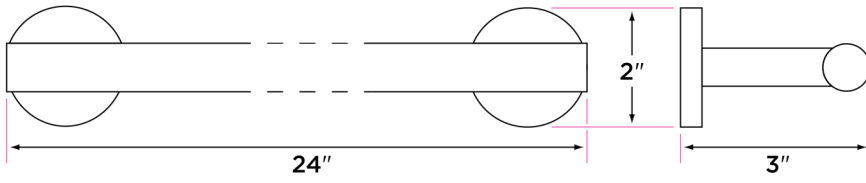
SO-TB30



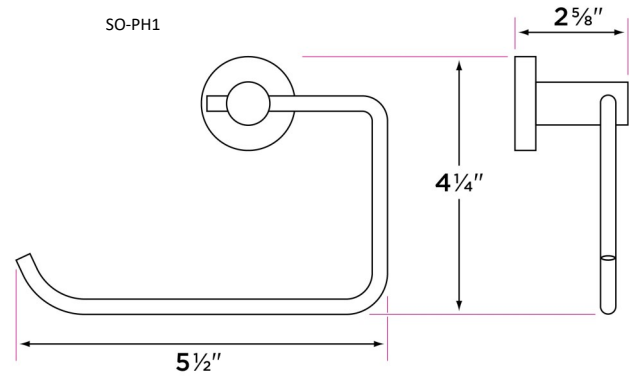
SO-RH1



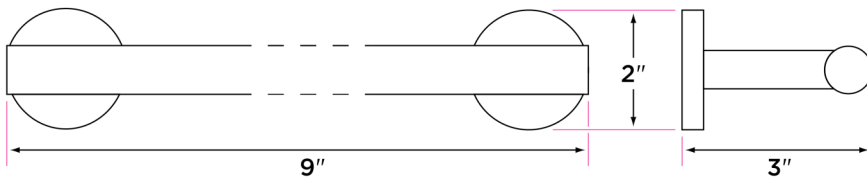
SO-TB24



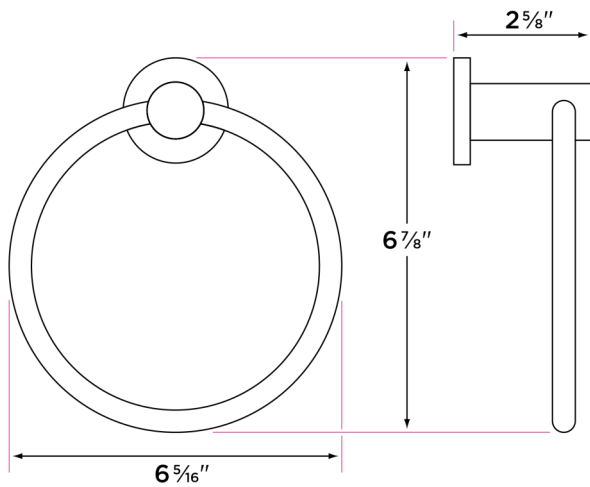
SO-PH1



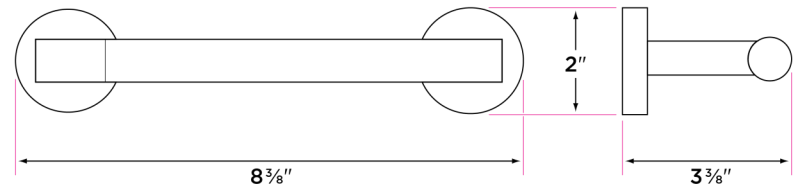
SO-TB9



SO-TRI



SO-PH2PV



SO-PH3

