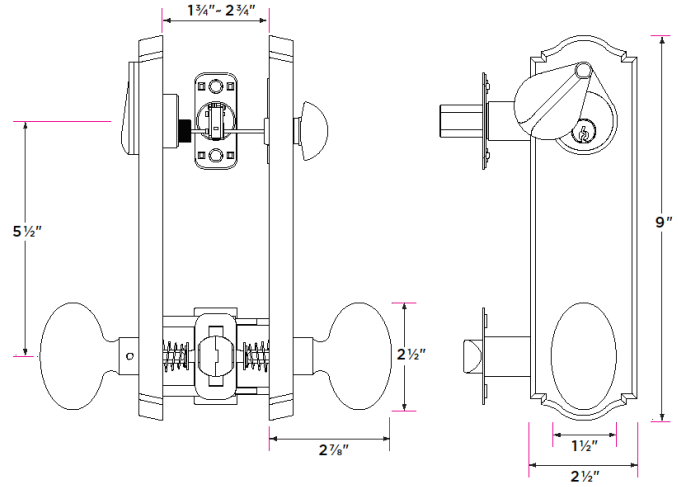


Slickrock Knob

SR107



DESCRIPTION

PRODUCT CODE

CASE

Passage (hall/closet) Both sides always free	SR101	12
Privacy (bed/bath) Locked by push pin. Unlocked by push pin, lever turn, or emergency pin outside	SR102	12
Entry with Deadbolt (exterior doors) Bottom portion is passage function, locked/unlocked by deadbolt	SR107	8
Dummy (closet) Inactive, single-sided, flush mount with two wood screws	SR100	12
Double Dummy (closet) Inactive, double-sided, mounted by thru-bolts	SR100-2	12

Finishes

11P Vintage Bronze

Door Handing

Non-handed

Door Thickness

1 3/8" to 1 3/4"
Entry fits 1 3/4" - 2"

Key Cylinder

5 Pin KW1
4 Pin SC1 option

Strike Plate

2 1/4" x 1 3/4" full lip radius corner standard
2 1/4" x 1" deadbolt strike
and
2 3/4" x 1 1/8" deadbolt strike

Latch

2 1/4" x 1" radius corner faceplate
Non-adjustable 2 3/8" or 2 3/4"
2 3/8" Drive-in latch available
1/2" throw bolt
Split spindle- both sides operate independently
1" deadbolt throw
Cut resistant bolt with hardened steel rolling insert

Door Prep

Crossbore 2 1/8"
Edgebore 1"
5 1/2" center-to-center

Materials

Solid Brass
All metal parts