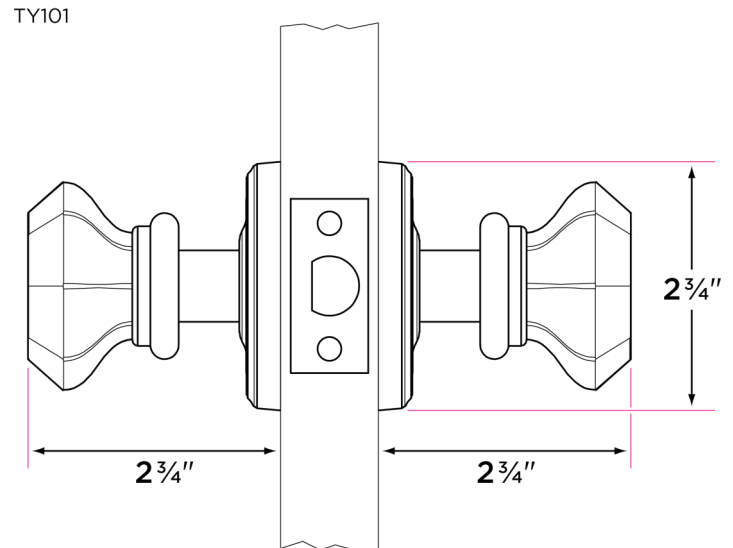


Torrey Knob



DESCRIPTION	PRODUCT CODE	CASE
Passage (hall/closet) Both sides always free	TY101	12
Privacy (bed/bath) Locked by push pin. Unlocked by push pin, knob turn, or emergency pin outside	TY102	12
Dummy (closet) Inactive, single-sided, flush mount with two wood screws	TY100	12

Finishes

15 Satin Nickel
26 Polished Chrome
FBL Flat Black
SB Satin Brass

Door Handing

Non-handed

Door Thickness

1 3/8" to 1 3/4"

Key Cylinder

No keyed option

Strike Plate

2 1/4" x 1 3/4" full lip radius corner standard

Latch

2 1/4" x 1" radius corner faceplate
Non-adjustable 2 3/8" or 2 3/4"
Drive-in latch available
1/2" throw bolt
Split spindle- both sides operate independently

Door Prep

Crossbore 2 1/8"
Edgebore 1"

Materials

Solid brass
Crystal glass