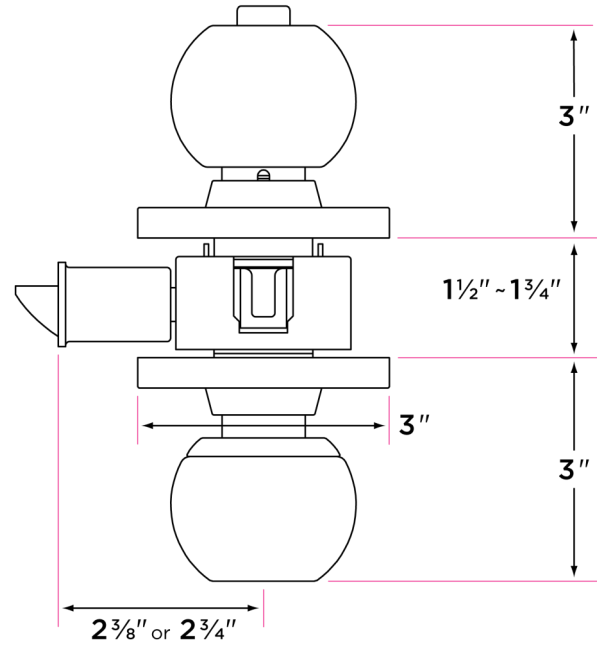


## Cylindrical Knobset grade 2

GT107



DESCRIPTION	PRODUCT CODE	CASE
Passage (hall/closet) Both sides always free	GT101	12
Privacy (bed/bath) Locked by push button. Unlocked by inside knob or outside coin slot. Inside knob is always free.	GT102	12
Entry- Knob locked by inside push button or outside key. Unlocked by key or inside knob. Inside knob is always free.	GT107	12
Storeroom- Outside knob always locked and a key is required to open. Inside knob is always free.	GT105	12
Classroom- Outside knob locks or unlocks with a key. Inside knob is always free.	GT108	12
Dummy (closet) Inactive, single-sided, flush mount with two wood screws	GT100	24

### Finishes

26D Satin Chrome

### Certifications

ANSI Grade 2  
UL 3 Hour Fire Rating  
ADA Compliant

### Door Thickness

1 3/8" to 1 3/4"

### Door Handing

Reversible Handing

### Key Cylinder

6 Pin SC1 standard  
6 Pin KW1 option

### Strike Plate

5" ASA Strike

### Latch

Cylindrical  
Specify 2 3/8" or 2 3/4" backset  
1/2" throw bolt

### Door Prep

Crossbore 2 1/8"  
Edgebore 1"

### Materials

Zinc  
All metal parts