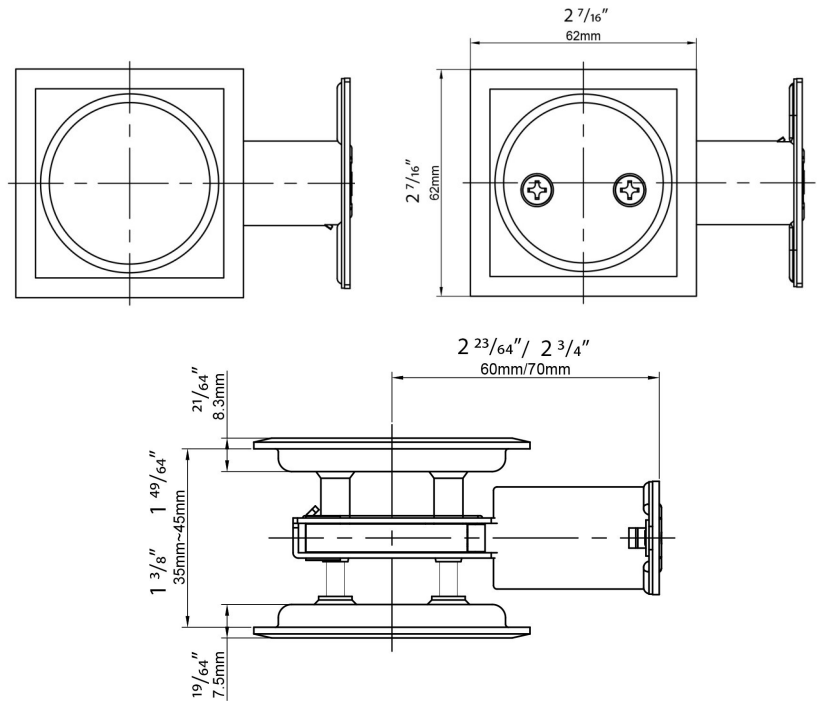


Square Pocket



DESCRIPTION

PRODUCT
CODE

CASE

| | | |
|--|---------|----|
| Passage (hall/closet) Both sides always free | DP-SQ01 | 24 |
| Privacy (bed/bath) Locked by thumb turn. Unlocked by thumb turn, or emergency outside coin slot. | DP-SQ02 | 24 |

Finishes

15 Satin Nickel
26 Polished Chrome
11P Vintage Bronze
FBL Flat Black

Door Handing

Non-handed

Door Thickness

1 3/8" to 1 3/4"

Key Cylinder

No entry function

Strike Plate

Included

Latch

2 1/4" x 1" radius corner faceplate
Non-adjustable 2 3/8" or 2 3/4"
Retractable Pull/Push

Door Prep

Crossbore 2 1/8"
Edgebore 1"

Materials

Brass Housing
All metal parts