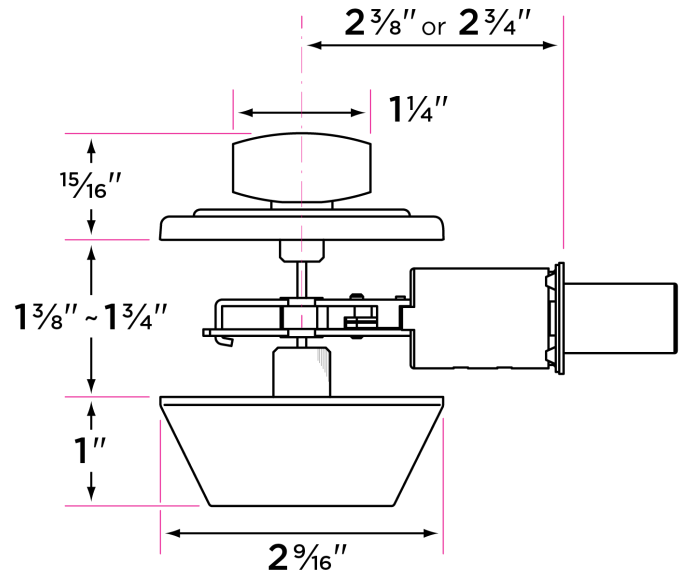


Contemporary Deadbolt

DB201



DESCRIPTION

PRODUCT
CODE

CASE

Single Cylinder Deadbolt

DB201

24

Finishes

- 3 Polished Brass
- 15 Satin Nickel
- 15A Antique Nickel
- 32D Satin Stainless
- FBL Flat Black
- 26 Polished Chrome
- 11P Vintage Bronze

Door Handing

Non-handed

Door Thickness

1 5/8" to 2 1/4"

Key Cylinder

- 5 pin KW1
- 5 pin SC1 option

Strike Plate

- 2 1/4" x 1 3/4" full-lip radius corner and
- 2 1/4" x 1" deadbolt strike

Latch

- 2 1/4" x 1" radius corner faceplate or 4 way drive-in latch
- Adjustable 2 3/8" or 2 3/4"
- 1" throw bolt
- Cut resistant bolt with hardened steel rolling inserts

Door Prep

- Crossbore 2 1/8"
- Edgebore 1"

Materials

- Brass Housing
- All metal parts