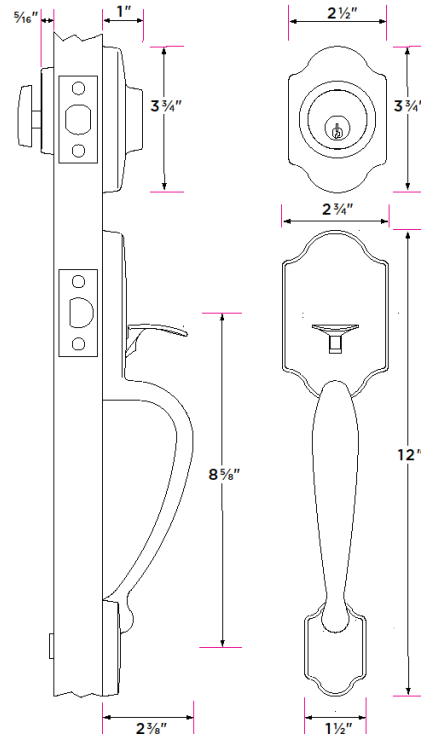


Coral Handleset



DESCRIPTION

PRODUCT CODE

CASE

Coral Handleset

CR507

6

Coral Dummy Handleset

CR500

6

Finishes

- 15 Satin Nickel
- 11P Vintage Bronze
- 3 Polished Brass

Door Handing

Non-handed

Door Thickness

1 3/8" to 1 3/4"

Key Cylinder

- 5 Pin KW1
- 5 Pin SC1 option

Strike Plate

2 1/4" x 1 3/4" full-lip radius corner standard

2 1/4" x 1" deadbolt strike and 2 1/4" x 1 3/4" full-lip radius corner deadbolt strike

Latch

2 1/4" x 1" radius corner faceplate

Adjustable 2 5/8" and 2 3/4"

1/2" throw bolt

1" deadbolt throw

Cut resistant bolt with hardened steel rolling inserts

Door Prep

Crossbore 2 1/8"

Edgebore 1"

Materials

Zinc

All metal parts