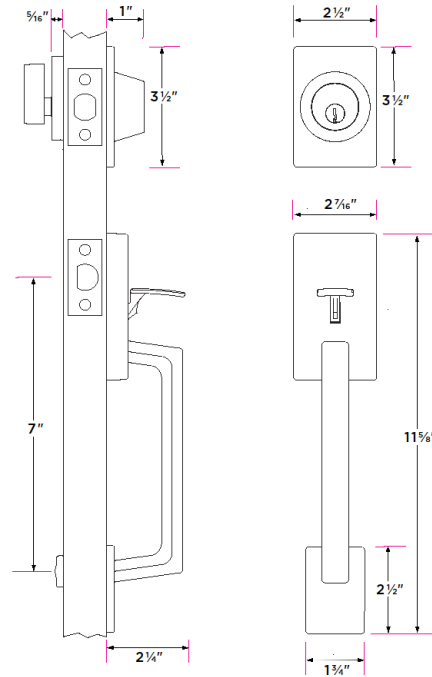


KN507

## Köln Handleset



DESCRIPTION

PRODUCT  
CODE

CASE

Köln Handleset with Round Thumb Turn	KN507-R	6
Köln Handleset with Square Thumb Turn	KN507-S	6
Köln Dummy Handleset	KN500	6

### Finishes

32D Stainless Steel  
15 Satin Nickel  
26 Polished Chrome  
11P Vintage Bronze

### Door Handing

Non-handed

### Door Thickness

1 5/8" to 1 3/4"  
Expansion pack available for 2 1/4"  
thick doors

### Key Cylinder

5 Pin KW1  
5 Pin SC1 option

### Strike Plate

2 1/4" x 1 3/4" full-lip radius corner  
standard  
2 1/4" x 1" deadbolt strike

### Latch

2 1/4" x 1" radius corner faceplate  
Adjustable 2 3/8" and 2 3/4"  
1/2" throw bolt  
1" deadbolt throw  
Cut resistant bolt with hardened  
steel rolling insert

### Door Prep

Crossbore 2 1/8"  
Edgebore 1"

### Materials

Solid forged brass  
All metal parts