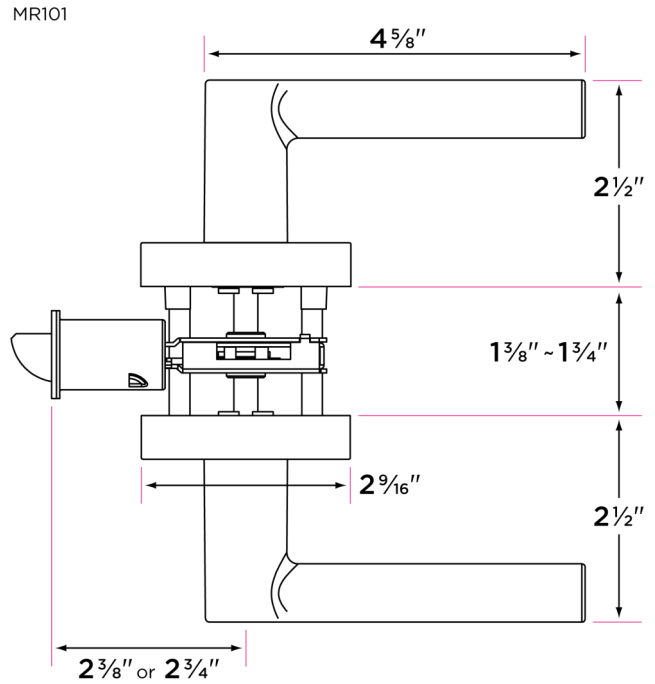


Marin Lever



DESCRIPTION	PRODUCT CODE	CASE
Passage (hall/closet) Both sides always free	MR101	12
Privacy (bed/bath) Locked by push pin. Unlocked by push pin, lever turn, or emergency pin outside	MR102	12
Entry-Locked/unlocked by inside finger turn or outside key	MR107	12
Dummy (closet) Inactive, single-sided, flush mount with two wood screws	MR100	12
Handleset Interior Trim	MR100-H	12

Finishes

- 15 Satin Nickel
- 26 Polished Chrome
- FBL Flat Black

Door Handing

Non-handed

Door Thickness

1 3/8" to 1 3/4"

Key Cylinder

- 5 Pin KW1
- 5 Pin SC1 option

Strike Plate

2 1/4" x 1 3/4" full-lip radius corner standard

Latch

2 1/4" x 1" radius corner faceplate or 4 way drive-in latch
Adjustable 2 3/8" or 2 3/4"
45 degree turn radius
1/2" throw bolt

Door Prep

Crossbore 2 1/8"
Edgebore 1"

Materials

Zinc
All metal parts