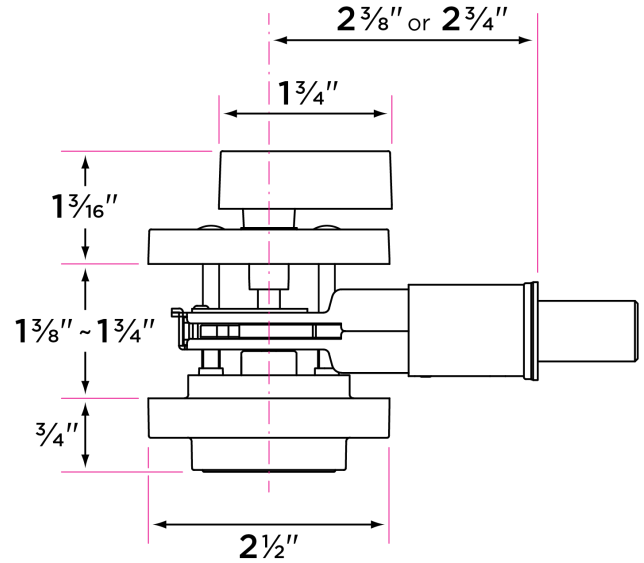


Round Modern Deadbolt

DB201-MD



DESCRIPTION	PRODUCT CODE	CASE
Single Cylinder Deadbolt	DB201-MD	12

Finishes

- 15 Satin Nickel
- 32D Satin Stainless
- 26 Polished Chrome
- 11P Vintage Bronze
- FBL Flat Black
- SB Satin Brass

Door Handing

Non-handed

Door Thickness

1 3/8" to 1 3/4"

Key Cylinder

- 5 pin KW1
- 5 pin SC1 option

Strike Plate

2 1/4" x 1" deadbolt strike

Latch

- 2 1/4" x 1" radius corner faceplate
- 4 way drive-in latch
- Adjustable 2 3/8" or 2 3/4"
- 1" throw bolt
- Cut resistant bolt with hardened steel rolling insert

Door Prep

- Crossbore 2 1/8"
- Edgebore 1"

Materials

- Brass
- All metal parts