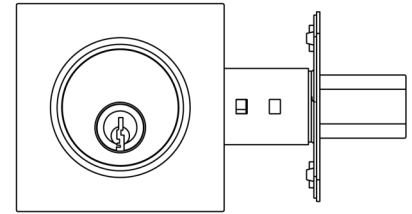
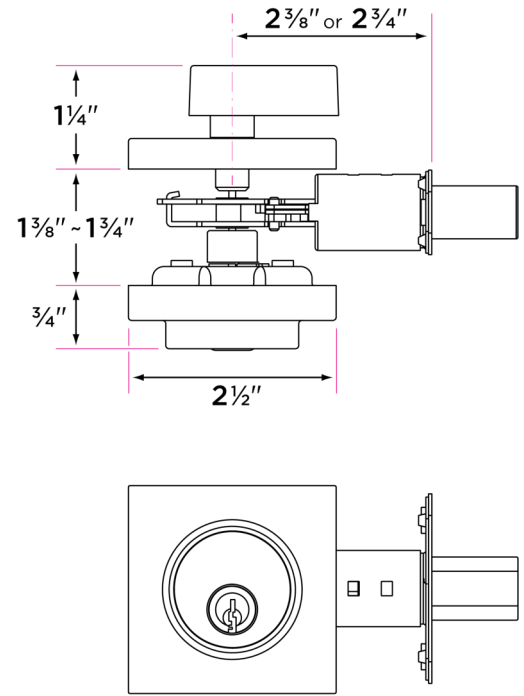


**Square Modern Deadbolt**



DB201-SMD



DESCRIPTION

PRODUCT  
CODE

CASE

Single Cylinder Deadbolt

DB201-SMD

12

**Finishes**

- 15 Satin Nickel
- 32D Satin Stainless
- 26 Polished Chrome
- 11P Vintage Bronze
- SB Satin Brass
- FBL Flat Black

**Door Handing**

Non-handed

**Door Thickness**

1 5/8" to 1 3/4"

**Key Cylinder**

- 5 pin KW1
- 5 pin SC1 option

**Strike Plate**

2 1/4" x 1" deadbolt strike

**Latch**

2 1/4" x 1" radius corner faceplate  
or 4 way drive-in latch  
Adjustable 2 3/8" or 2 3/4"  
1" throw bolt  
Cut resistant bolt with  
hardened steel rolling inserts

**Door Prep**

Crossbore 2 1/8"  
Edgebore 1"

**Materials**

Zinc  
All metal parts