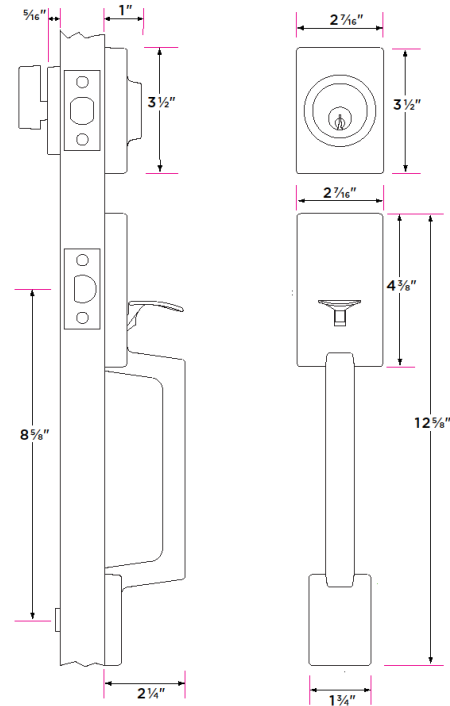


SH507

Stockholm Handleset



DESCRIPTION

PRODUCT
CODE

CASE

| | | |
|--|---------|---|
| Stockholm Handleset with Round Thumb Turn | SH507-R | 6 |
| Stockholm Handleset with Square Thumb Turn | SH507-S | 6 |
| Stockholm Dummy Handleset | SH500 | 6 |

Finishes

32D Stainless Steel
15 Satin Nickel
FBL Flat Black
26 Polished Chrome
11P Vintage Bronze
SB Satin Brass

Door Handing

Non-handed

Door Thickness

1 5/8" to 1 3/4"
Expansion pack available for 2 1/4"
thick doors

Key Cylinder

5 pin KW1
5 pin SC1 option

Strike Plate

2 1/4" x 1 3/4" full-lip radius corner
standard
2 1/4" x 1" deadbolt strike

Latch

2 1/4" x 1" radius corner faceplate
Adjustable 2 3/8" or 2 3/4"
1/2" latch throw
1" deadbolt throw
Cut resistant bolt with hardened
steel rolling insert

Door Prep

Crossbore 2 1/8"
Edgebore 1"

Materials

Zinc
All metal parts