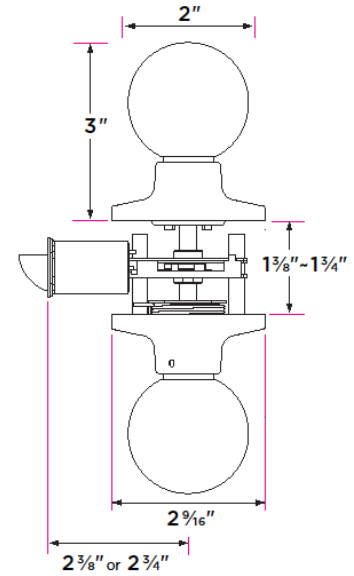


Tahoe Knob



| DESCRIPTION | PRODUCT CODE | CASE |
|---|--------------|------|
| Passage (hall/closet) Both sides always free | TA101 | 24 |
| Privacy (bed/bath) Locked by finger turn. Unlocked by finger turn or coin slot from the outside | TA102 | 24 |
| Entry-Locked/unlocked by inside finger turn or outside key | TA107 | 24 |
| Entry and Deadbolt Combo | TA107/DB | 12 |
| Dummy (closet) Inactive, single-sided, mount with thru bolt | TA100 | 24 |
| Handleset Interior Trim | TA100-H | 24 |

Finishes

3 Polished Brass
32D Satin Stainless
11P Vintage Bronze
FBL Flat Black

Door Handing

Non-handed

Door Thickness

1 3/8" to 1 3/4"

Key Cylinder

5 Pin KW1
5 Pin SC1 option

Strike Plate

2 1/4" x 1 3/4" full lip radius corner standard

Latch

Adjustable 2 3/8"- 2 3/4" backset
1/2" throw bolt
2 1/4" x 1" radius corner faceplate or 4 way drive-in latch

Door Prep

Crossbore 2 1/8"
Edgebore 1"

Materials

Formed Brass
All metal parts