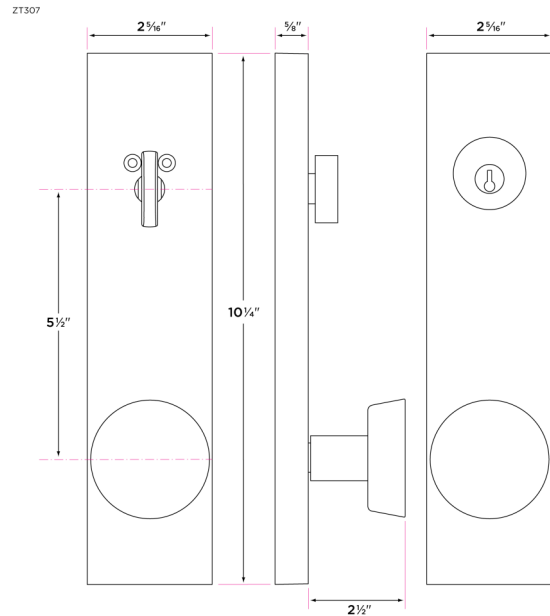


## Zermatt Sideplate Entry



DESCRIPTION

PRODUCT  
CODE

CASE

Entry with Deadbolt

ZT307

12

### Finishes

15 Satin Nickel  
FBL Flat Black  
SB Satin Brass

### Door Handing

Non-handed

### Door Thickness

1 3/4" to 2 1/4"

### Key Cylinder

5 pin KW1  
5 pin SC1 option

### Strike Plate

2 1/4" x 1 3/4" full lip radius corner  
standard

### Latch

2 1/4" x 1" radius corner faceplate  
Non-adjustable 2 3/8" or 2 3/4"  
Drive-in latch available  
1/2" throw bolt  
Split spindle- both sides operate  
independently

### Door Prep

Crossbore 2 1/8"  
Edgebore 1"  
Center-to-center 5 1/2"

### Materials

Zinc: Satin Nickel, Flat Black  
Brass: Satin Brass  
All metal parts