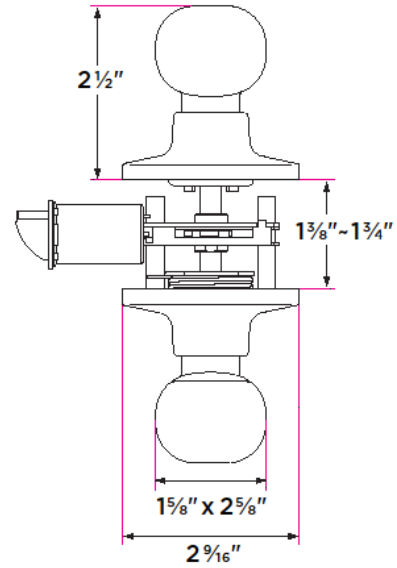


Arapaho Knob



DESCRIPTION	PRODUCT CODE	CASE
Passage (hall/closet) Both sides always free	AR101	24
Privacy (bed/bath) Locked by finger turn. Unlocked by finger turn or coin slot from the outside	AR102	24
Entry-Locked/unlocked by inside finger turn or outside key	AR107	24
Entry and Deadbolt Combo	AR107/DB	12
Dummy (closet) Inactive, single-sided, mount with thru bolt	AR100	24
Handleset Interior Trim	AR100-H	24

Finishes

15 Satin Nickel
15A Antique Nickel
FBL Flat Black
11P Vintage Bronze

Door Handing

Non-handed

Door Thickness

1 3/8" to 1 3/4"

Key Cylinder

5 Pin KW1
5 Pin SC1 option

Strike Plate

2 1/4" x 1 3/4" full lip radius corner standard

Latch

Adjustable 2 3/8"- 2 3/4" backset
1/2" throw bolt
2 1/4" x 1" radius corner faceplate or 4 way drive-in latch

Door Prep

Crossbore 2 1/8"
Edgebore 1"

Materials

Formed Brass
All metal parts