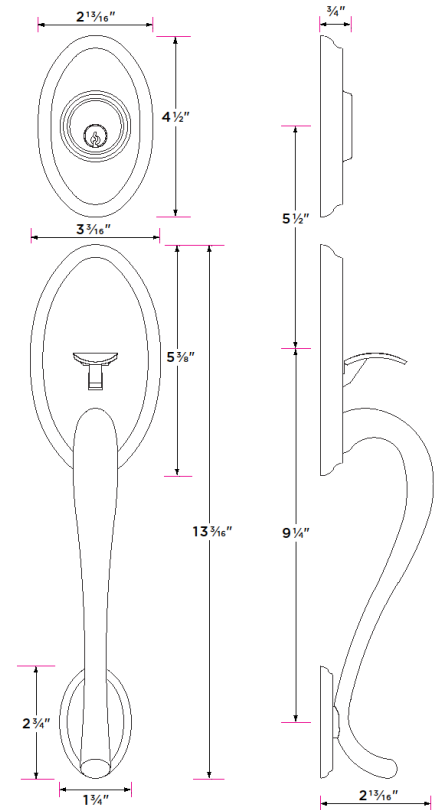


**Aspen Handleset, grade 2**



**DESCRIPTION**

**PRODUCT CODE**

**CASE**

DESCRIPTION	PRODUCT CODE	CASE
Aspen Handleset	AN507-G2	6
Aspen Dummy Handleset	AN500	6

**Finishes**

15 Satin Nickel  
FBL Flat Black

**Door Handing**

Non-handed

**Door Thickness**

1 3/8" to 1 3/4"

**Key Cylinder**

5 Pin KW1  
5 Pin SC1 Option

**Strike Plate**

2 1/4" x 1 3/4" full-lip radius corner standard  
2 1/4" x 1" deadbolt strike  
and  
2 1/4" x 1 3/4" full-lip radius corner deadbolt strike

**Latch**

2 1/4" x 1" radius corner face-plate  
Adjustable 2 3/8" and 2 3/4"  
1/2" throw bolt  
1" deadbolt throw  
Cut resistant bolt with hardened steel rolling inserts

**Door Prep**

Crossbore 2 1/8"  
Edgebore 1"

**Materials**

Zinc  
All metal parts