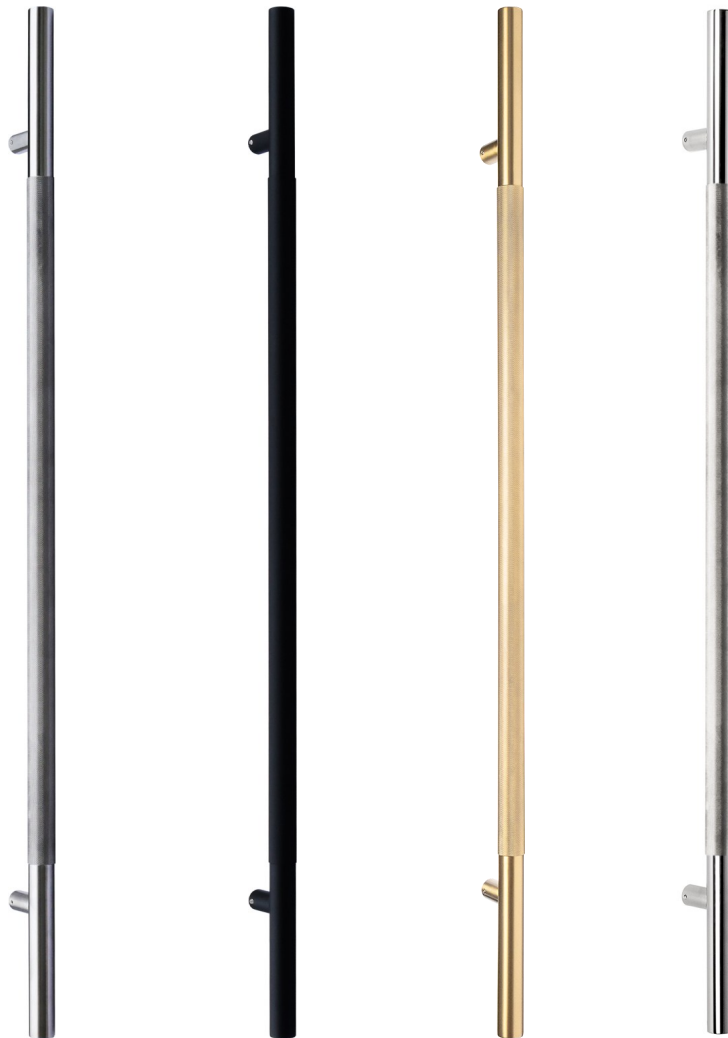


Knurled Long Door Pulls



DESCRIPTION	PRODUCT CODE	CASE
48" Knurled Long Door Pull, Single-Sided	PL-1KN48	4
48" Knurled Long Door Pull, Double-Sided	PL-2KN48	4
72" Knurled Long Door Pull, Single-Sided	PL-1KN72	4
72" Knurled Long Door Pull, Double-Sided	PL-2KN72	4

Finishes

- 32D Satin Stainless
- FBL Flat Black
- SB Satin Brass PVD
- 26 Polished Chrome

Mounting

Single sided applications—concealed surface mounted or thru-bolt mounted with decorative caps
Optional disc base included

Door Thickness

½" - 2 ¼"

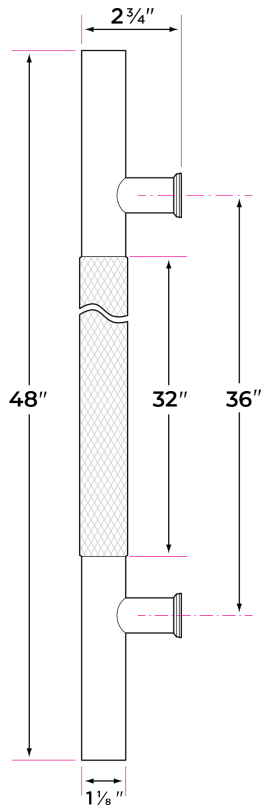
Hole Spacing

36" center to center hole spacing for 48" pull
60" center to center hole spacing for 72" pull

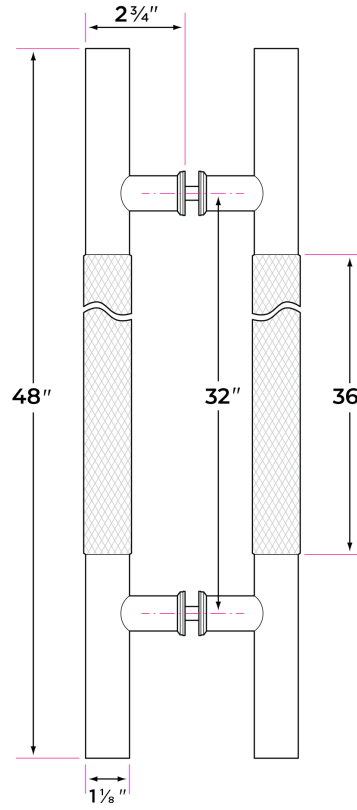
Material

304 Stainless steel
1.9mm thick

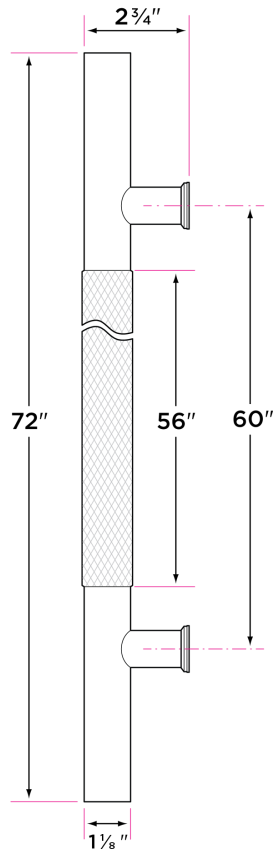
PL-1KN48



PL-2KN48



PL-2KN72



PL-1KN72

