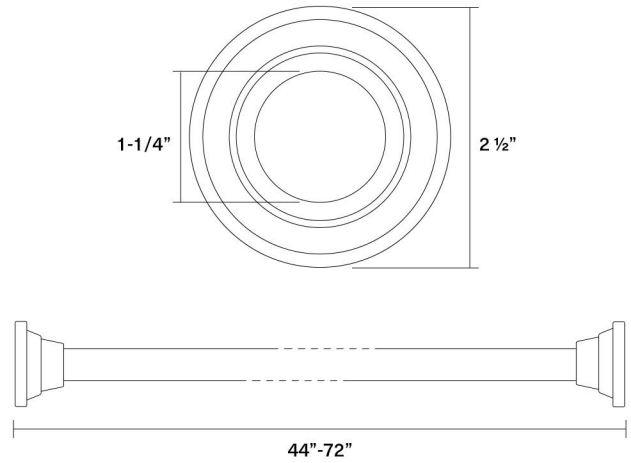


## Tension Shower Curtain Rod



DESCRIPTION

PRODUCT CODE

CASE

Tension Shower Curtain Rod, Adjustable 42-72"

SCR-T1

20

### Finishes

26 Polished Chrome  
32D Satin Stainless  
FBL Flat Black

### Dimensions

Adjusts to fit shower enclosures  
between 42-72"  
Diameter 1"

### Thickness

.028 (22 gauge)

### Materials

304 Stainless Steel