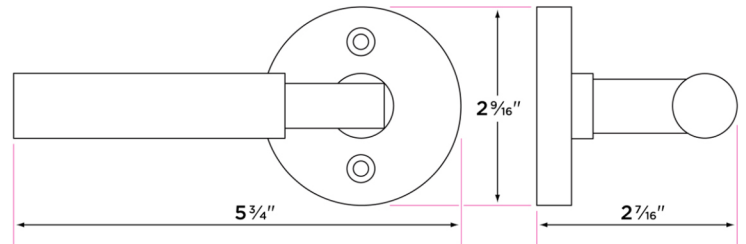


Levanto Lever | Round



LV102-RD



ROSETTE OPTIONS

DESCRIPTION	PRODUCT CODE	CASE
Passage Rosette (hall/closet) Both sides always free	LV101-RD	12
Privacy Rosette (bed/bath) Locked by push pin. Unlocked by push pin, lever turn, or emergency pin outside	LV102-RD	12
Dummy Rosette (closet) Inactive, single-sided, flush mount with two wood screws	LV100-RD	12
Handleset Interior Trim Rosette	LV100-HRD	12
Full Plate Handleset Trim	LV100-HFP	12

LEVER GRIP OPTIONS

DESCRIPTION	PRODUCT CODE	CASE
Knurled Grip	LVGRIP-KN	12
Smooth Grip	LVGRIP-SM	12
Walnut Grip	LVGRIP-WN	12
Straight Knurled Grip	LVGRIP-SKN	12
Vertex Grip	LVGRIP-VT	12

Finishes

Rosette:

- 15 Satin Nickel
- 26 Polished Chrome
- FBL Flat Black
- SB Satin Brass

Lever Grips:

- 26 Polished Chrome
- FBL Flat Black
- 15 Satin Nickel
- SB Satin Brass

- Knurled
- Smooth
- Walnut
- Straight Knurled
- Vertex

Latch

- 2 1/4" x 1" radius corner faceplate
- Non-adjustable 2 3/8" or 2 3/4"
- 2 3/8" Drive-in latch available

1/2" throw bolt

Split Spindle— both sides operate independently

Strike Plate

2 1/4" x 1 3/4" full lip radius corner standard

Door Thickness

- 1 3/8" to 1 3/4"
- Expansion pack available for 2 1/4" thick doors

Door Handing

Non-handed

Door Prep

- Crossbore 2 1/8"
- Edgebore 1"

Key Cylinder

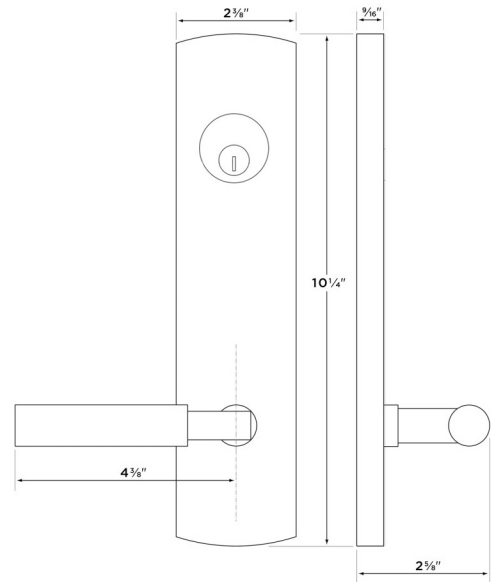
- No keyed option
- Pair passage lever with mountain deadbolt for exterior locking

Materials

- Zinc: Satin Nickel, Flat Black
- Brass: Satin Brass
- All metal parts

Levanto Sideplate Entry | Round

LV307-RD



DESCRIPTION

PRODUCT
CODE

CASE

Entry with Deadbolt

LV307-RD

12

LEVER GRIP OPTIONS

DESCRIPTION

PRODUCT

CASE

Knurled Grip Interior

LVGRIP-KN

12

Smooth Grip Interior

LVGRIP-SM

12

Walnut Grip Interior

LVGRIP-WN

12

Straight Knurled Grip Interior

LVGRIP-SKN

12

Vertex Grip

LVGRIP-VT

12

Finishes

15 Satin Nickel

26 Polished Chrome

FBL Flat Black

SB Satin Brass

Door Handing

Reversible handing

Door Thickness

1 3/4" to 2 1/4"

Key Cylinder

5 pin KW1

5 pin SC1 option

Strike Plate

2 3/4" x 1 3/4" full lip radius corner standard

Latch

2 1/4" x 1" radius corner faceplate

Non-adjustable 2 3/8" or 2 3/4"

Drive-in latch available

1/2" throw bolt

Split spindle— both sides operate independently

Door Prep

Crossbore 2 1/8"

Edgebore 1"

Center-to-center 5 1/2"

Materials

Zinc: Satin Nickel, Flat Black

Brass: Satin Brass

All metal parts